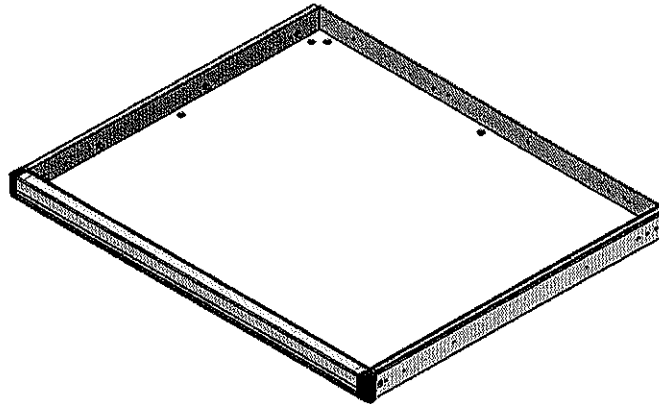
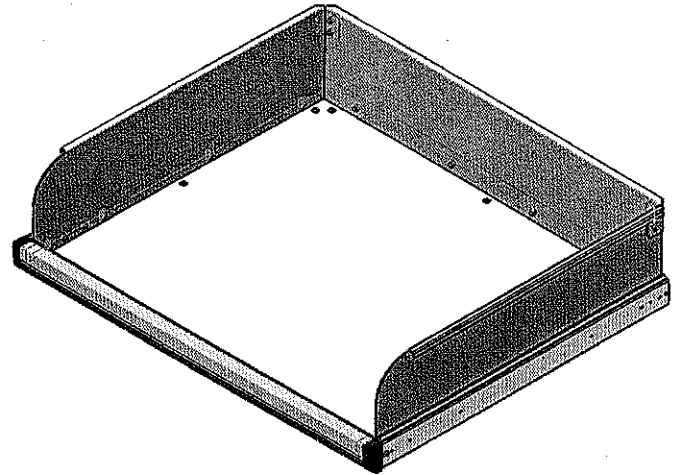
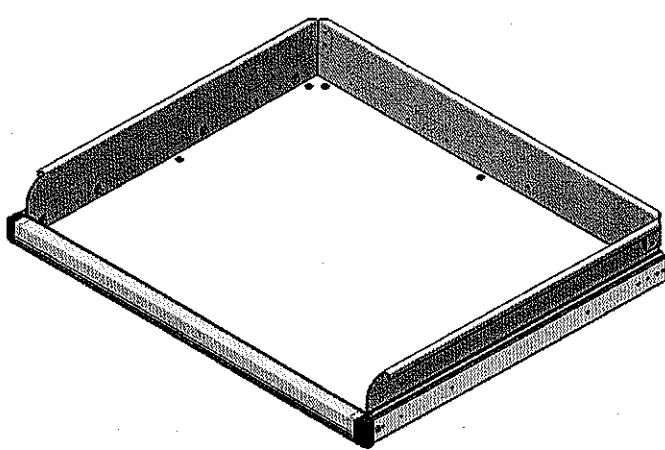


FROM THIS



TO THIS



INSTRUCTIONS TO INSTALL ADDON KIT FOR DEEP DRAWER IN A STANDARD KATERACK DRAWER

The following instructions apply to both the 6" add-on and the 10" add-on.

Care should be taken when installing this add-on.
Drill bits can be *brittle* and break without warning.



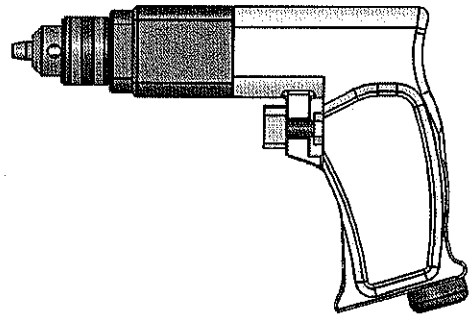
Safety glasses should be worn at all times.

**Note: This will permanently change the appearance of the Katerack Drawer.
Though the add-on kit can be removed, holes will remain in the drawer.**

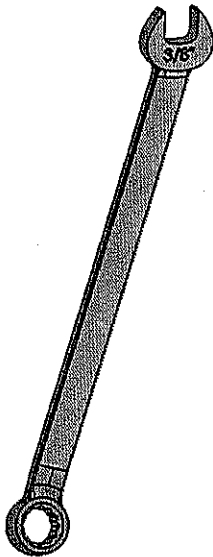
Tools Needed:



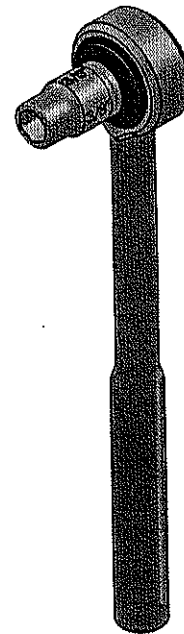
13/64" Drill Bit



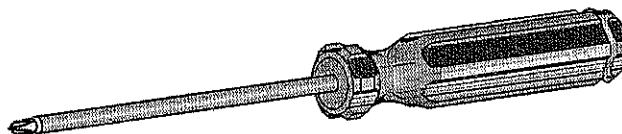
Drill



3/8" Wrench



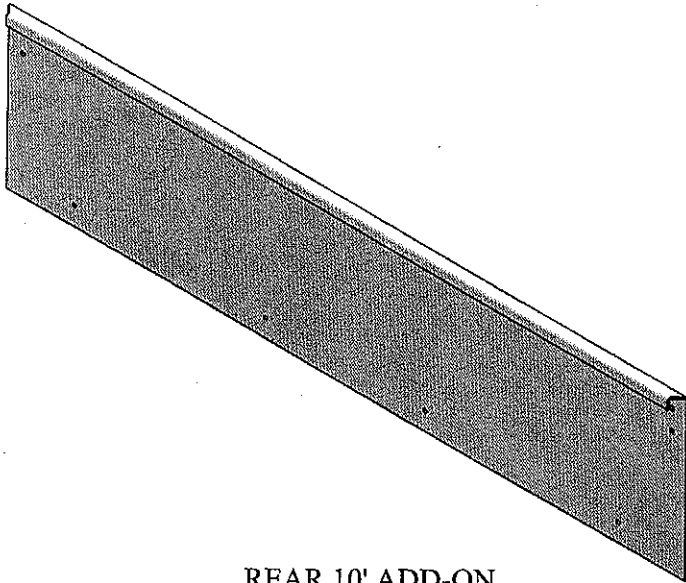
3/8" Drive Socket Wrench
with 3/8" Socket



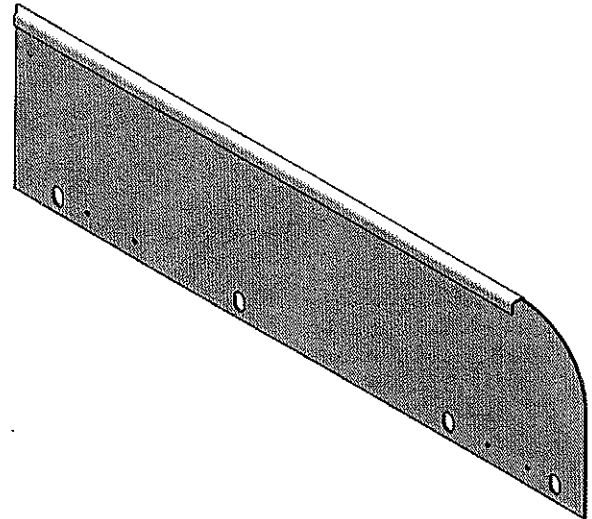
Phillips Screwdriver

Parts List:

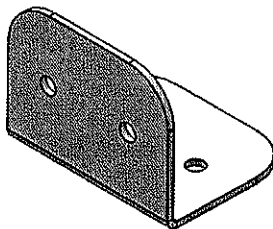
FOR 10" DEEP ADD-ON



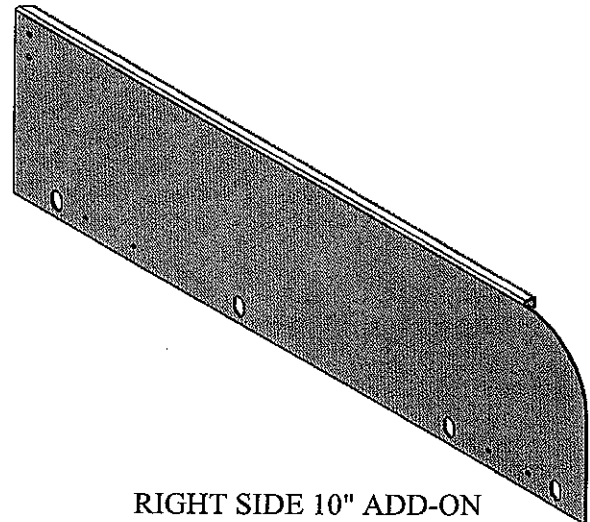
REAR 10' ADD-ON
CRF 99-1100-007
QTY. 1



LEFT SIDE 10" ADD-ON
CRF 99-1100-004
QTY. 1



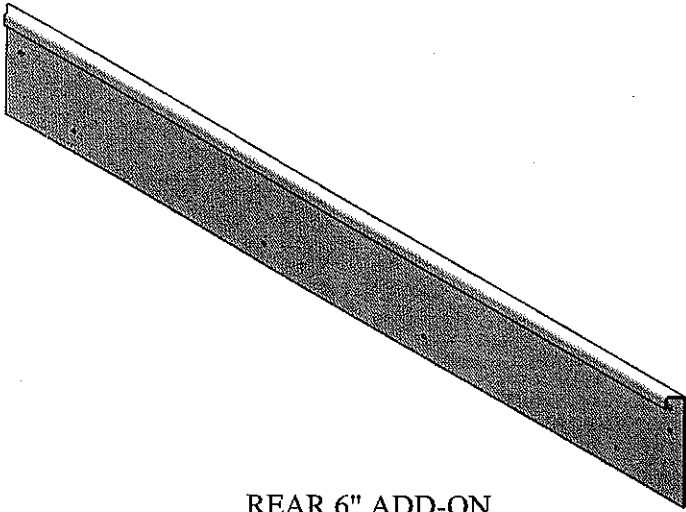
UPPER CORNER BRACE
CRF 99-1100-001
QTY. 2



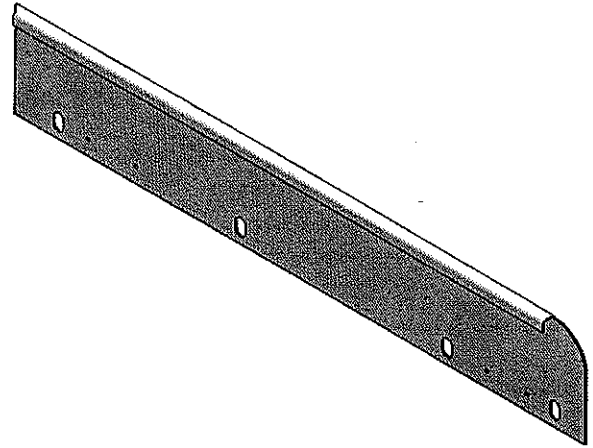
RIGHT SIDE 10" ADD-ON
CRF 99-1100-005
QTY. 1

Parts List:

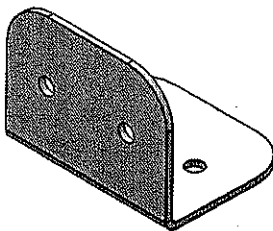
FOR 6" DEEP ADD-ON



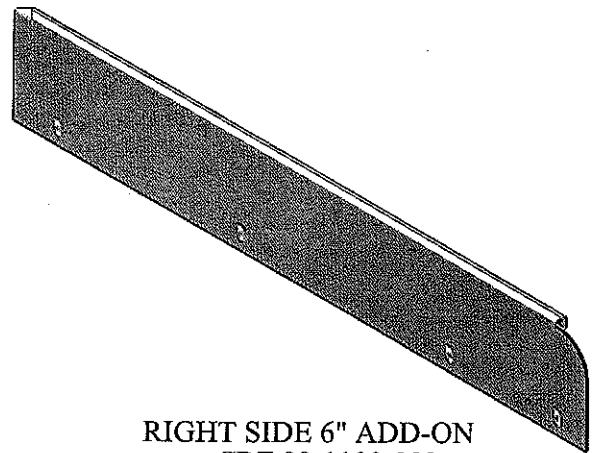
REAR 6" ADD-ON
CRF 99-1100-006
QTY. 1



LEFT SIDE 6" ADD-ON
CRF 99-1100-002
QTY. 1



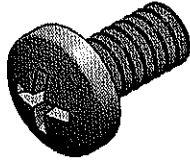
UPPER CORNER BRACE
CRF 99-1100-001
QTY. 2



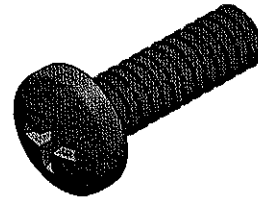
RIGHT SIDE 6" ADD-ON
CRF 99-1100-003
QTY. 1

Hardware:

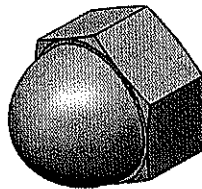
UNIVERSAL HARDWARE



FAS 29043
#10-32 x 3/8" Pan Head Screw
Qty. 12



FAS 20995
#10-32 x 5/8" Pan Head Screw
Qty. 8

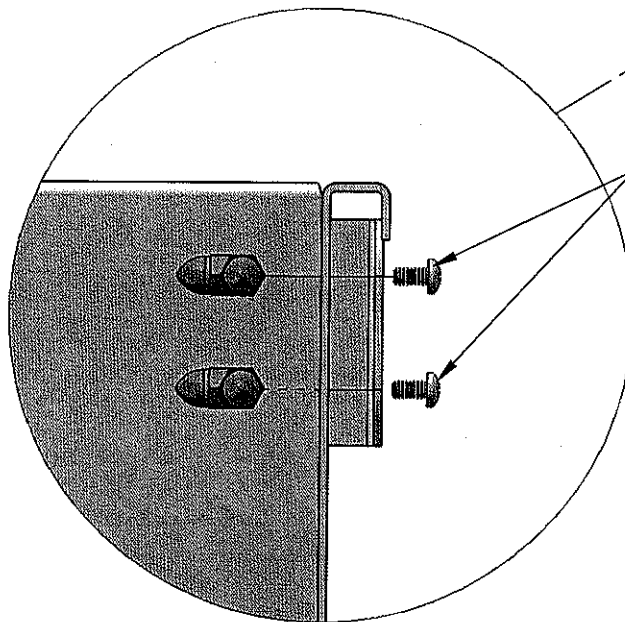
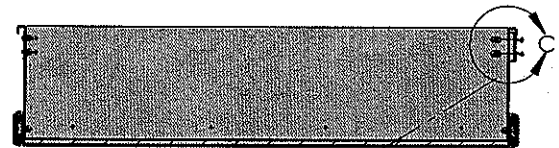
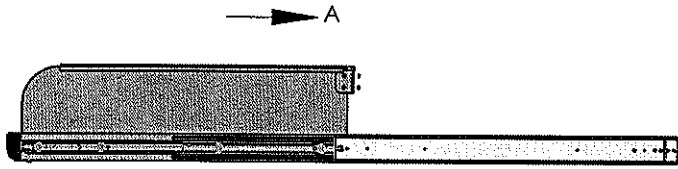
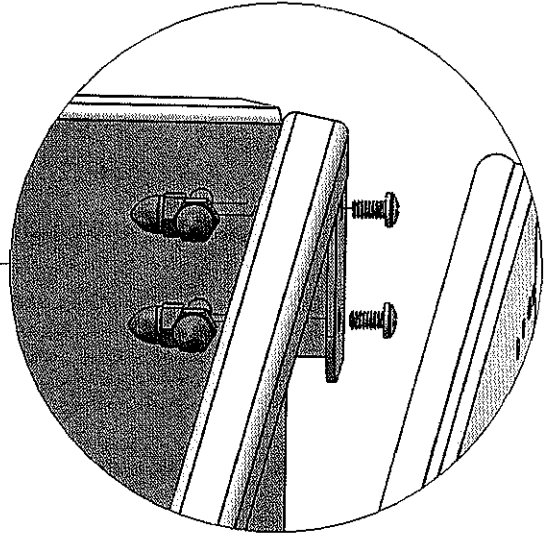
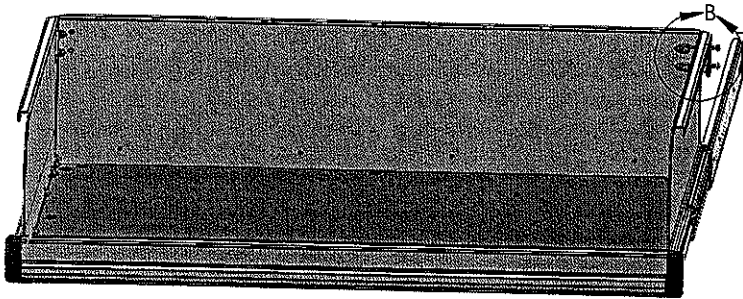


FAS 37706
#10-32 Acorn Nut
Qty. 20

STEP 1:

Upper Corner Brace Installation

Insert pieces of addon kit into the Katerack drawer with flanges facing outward then proceed to bolt corner braces into upper corners of the add-on kit.

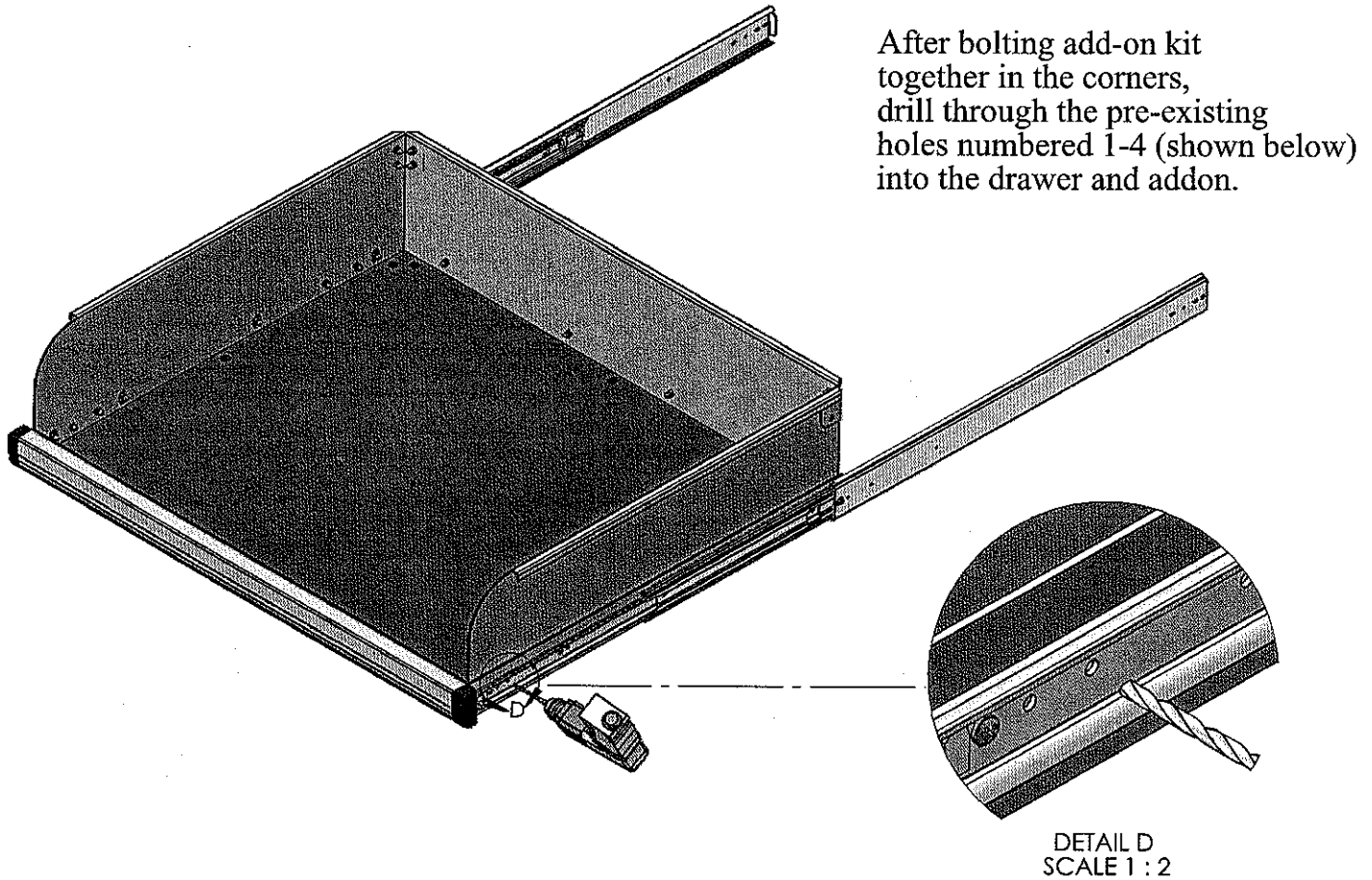


FAS 29043
#10-32 x 3/8"

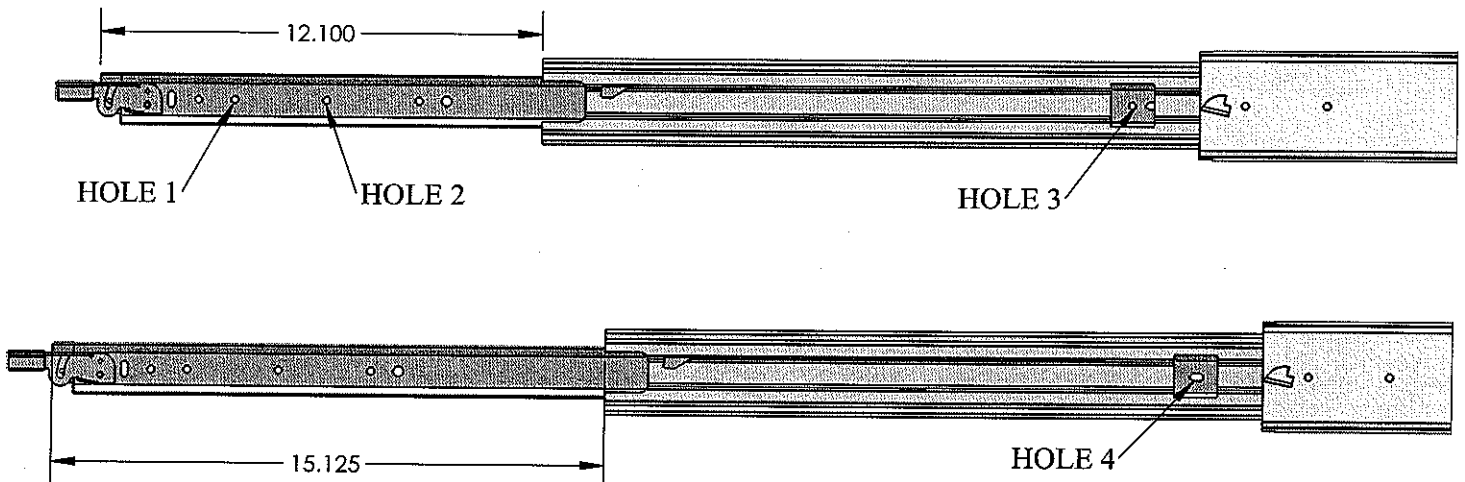
STEP 2:

Drill Holes for RH and LH Addon

This step is the same for right and left sides of the add-on.

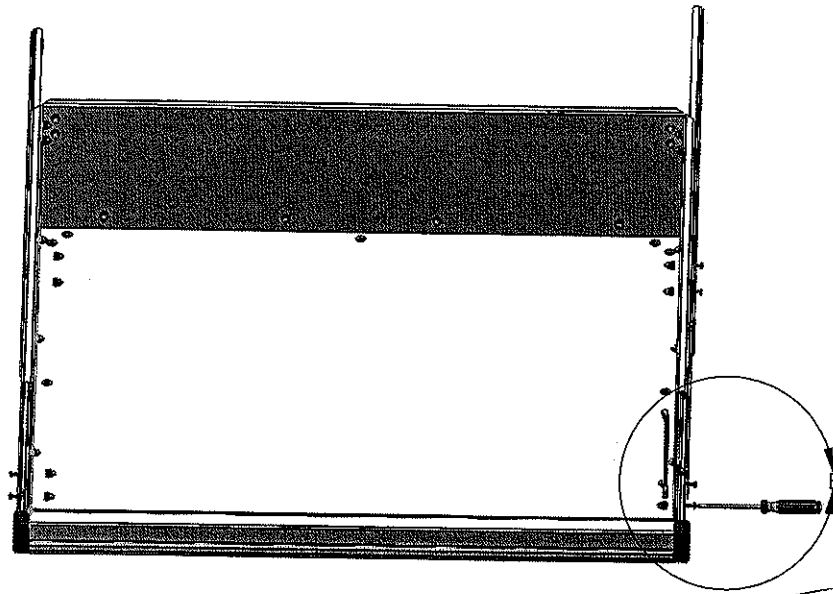


Proper slide hole locations for the RH slide are indicated below.
(LH slide locations are the same)



STEP 3:

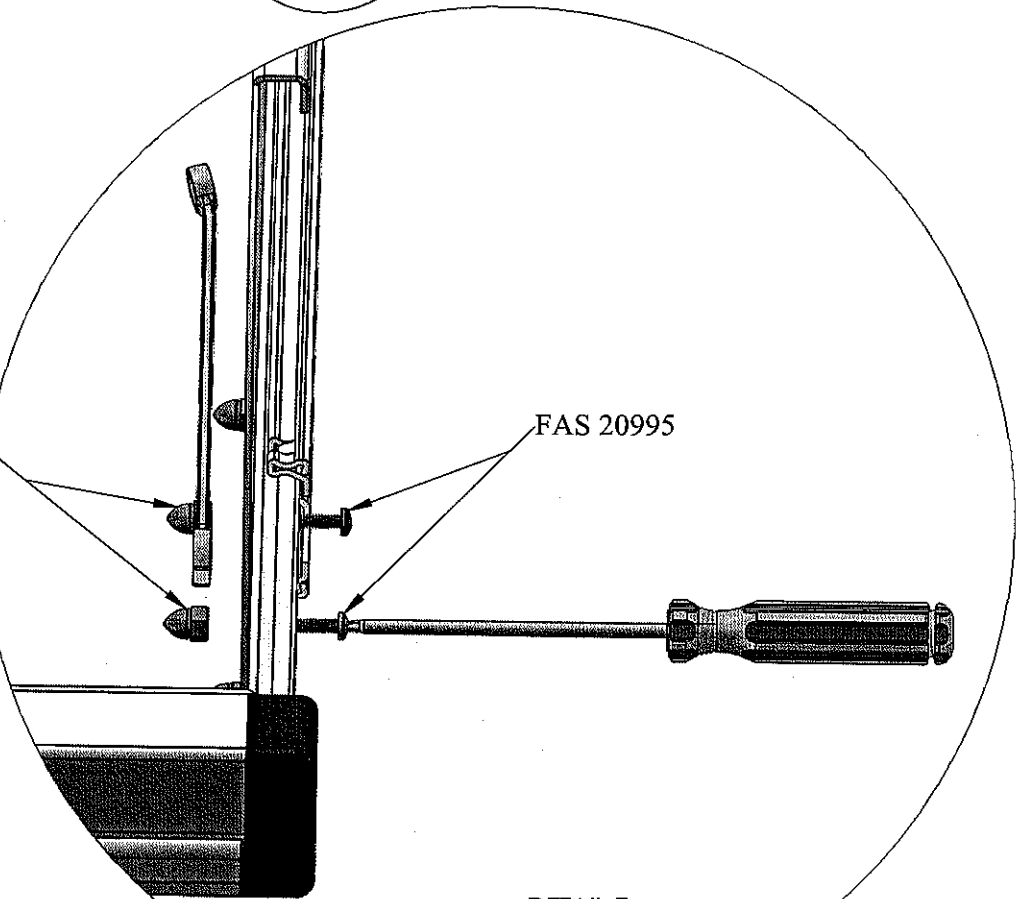
Attach RH and LH Add-on to Drawer



Using the holes drilled in the last step, insert #10-32 x 5/8" screws through slide, drawer, and add-on. Tighten firmly.

FAS 37706

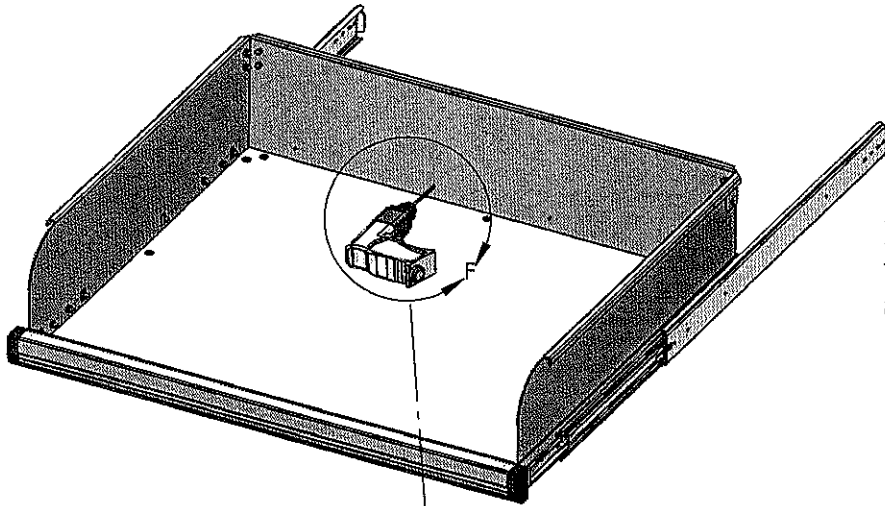
FAS 20995



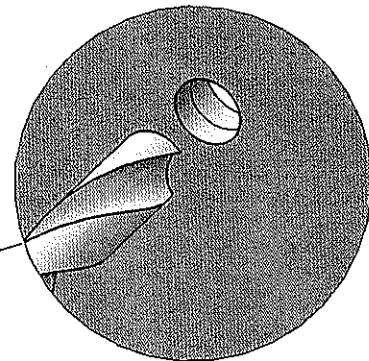
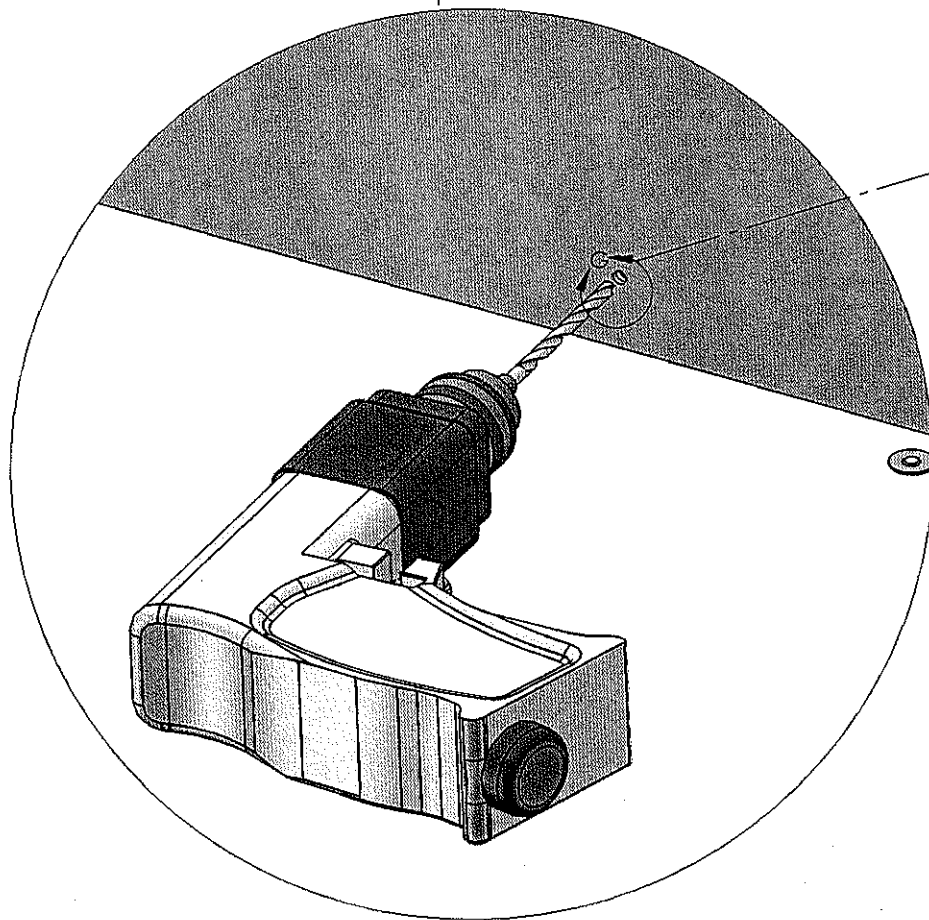
DETAIL E
SCALE 1 : 2.5

STEP 4:

Drilling Rear Holes for Rear Add-on



Drill holes in the rear of the drawer using the pre-existing holes in the add-on as a template.

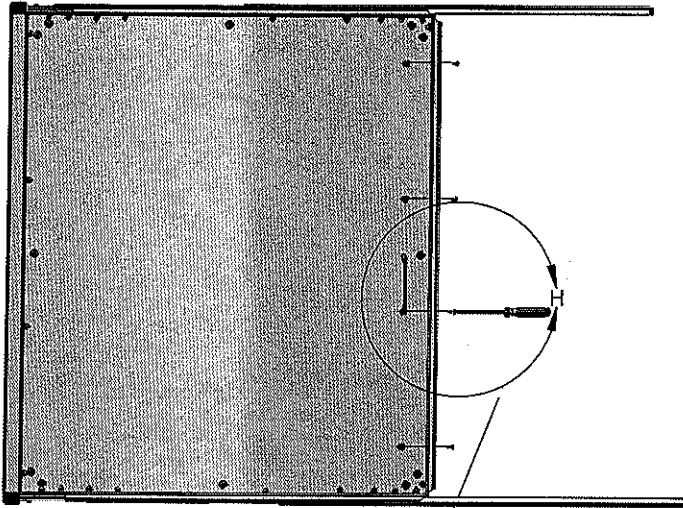


DETAIL G
SCALE 2 : 1

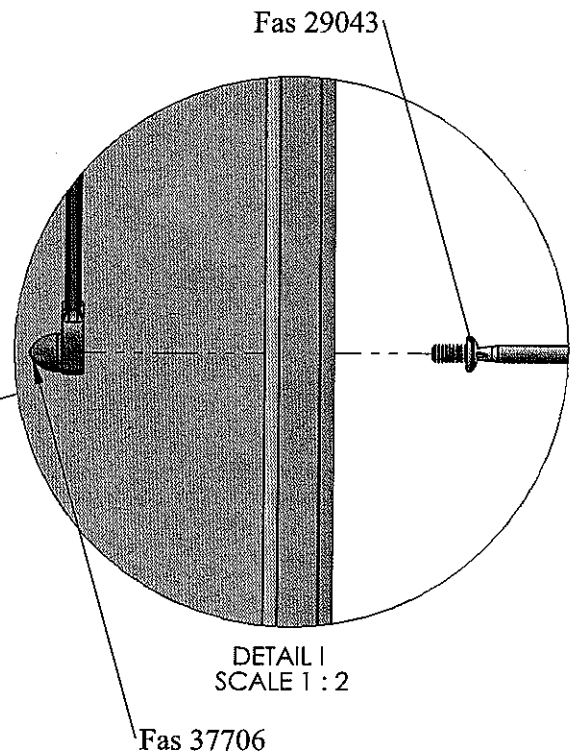
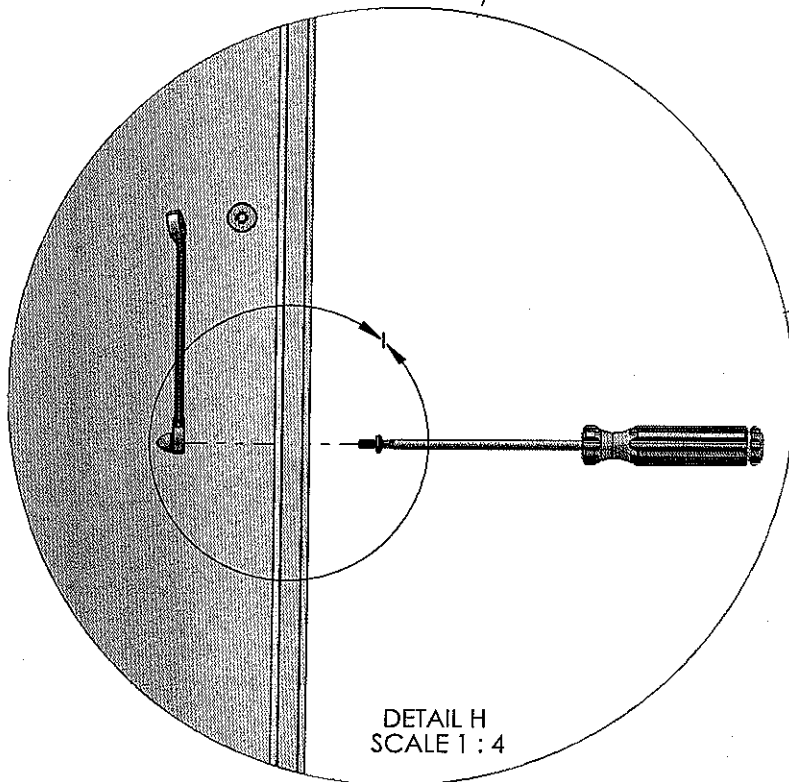
DETAIL F
SCALE 1 : 2.5

STEP 5:

Attach Rear Add-on



With the Phillips Head screwdriver and wrench (or socket), attach the rear add-on to the drawer with the provided #10-32 x 3/8" screws and acorn nuts in the holes drilled in step 4.



This completes the installation.

